

SINGER

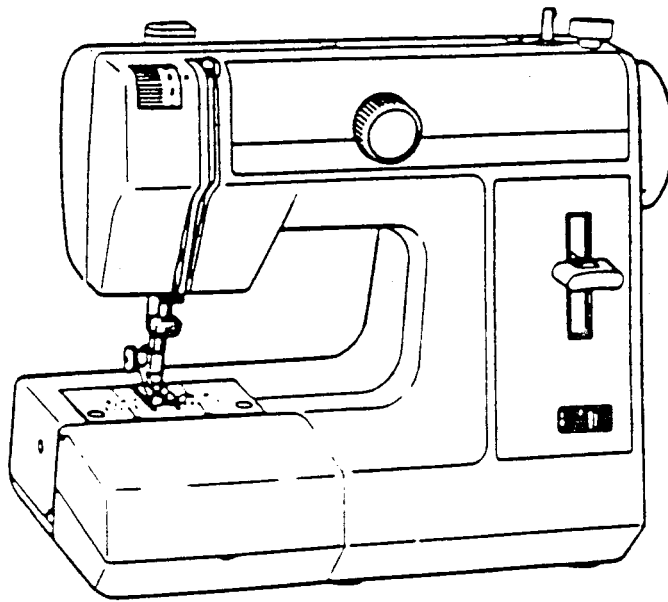
322

REVISION SEPTEMBER, 1988

SECTION

~~PARTS LIST~~
FOR

MINI SINGER



MODEL 322

REVISION ISSUE SEPTEMBER 1988

MUST BE USED WITH ORIGINAL NOV 1987 (ATTACHED)

From the library of: Diamond Needle Corp

173745-322

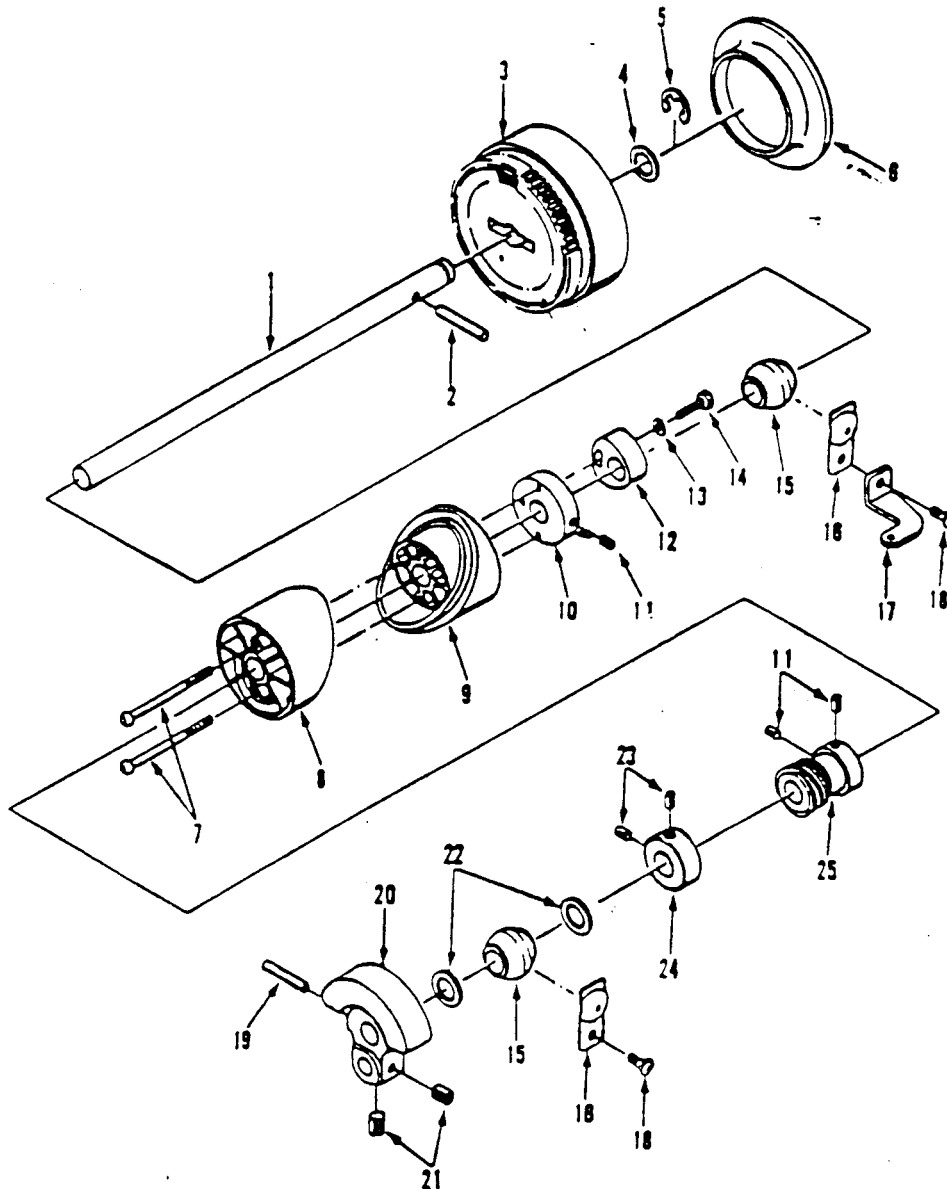
FACTORY MODEL NO.

4836
MAY HAVE SUFFIX - 0 TO 9

ORIGINAL ISSUE

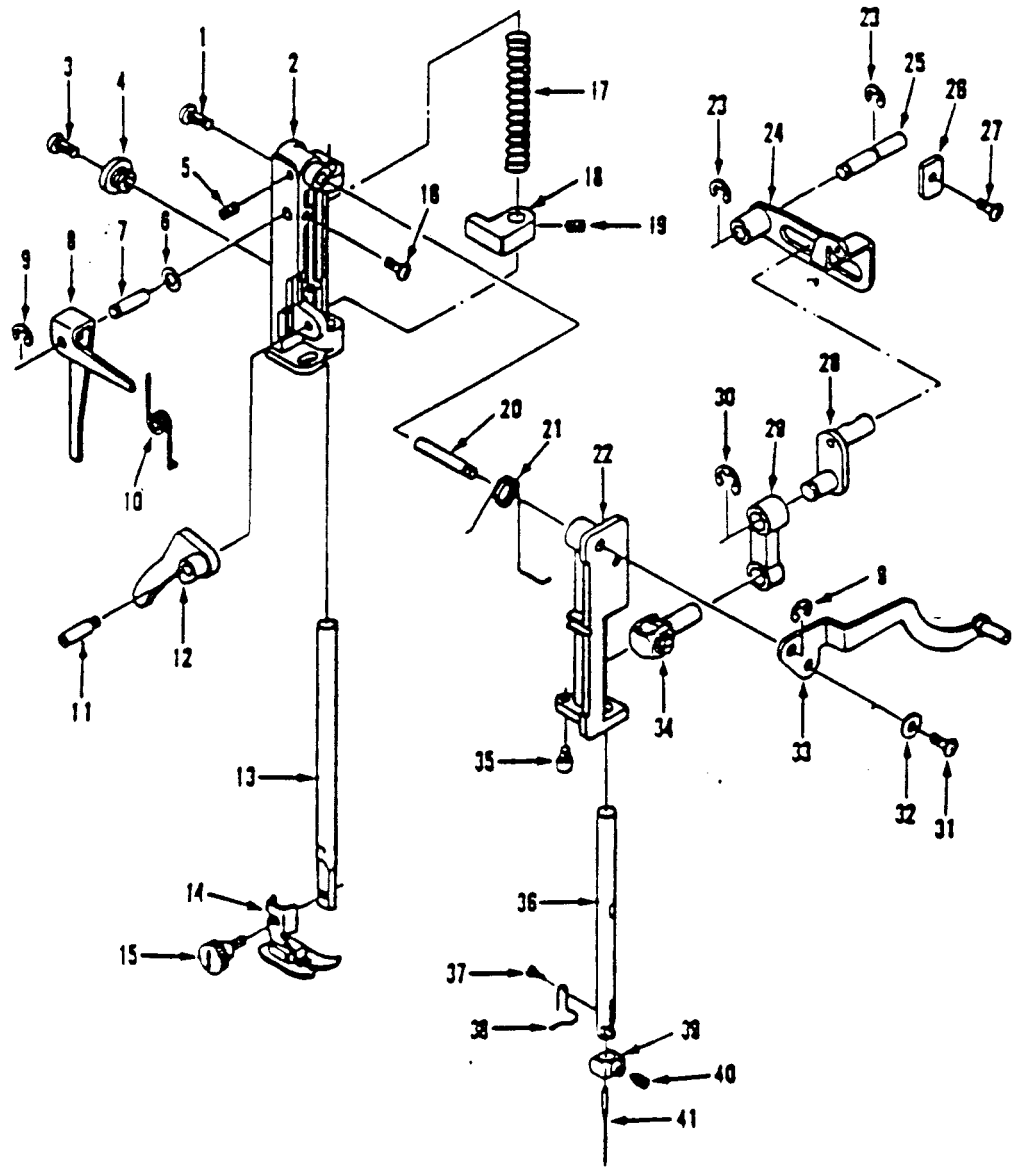
SEPTEMBER, 1988

PAGE : 1



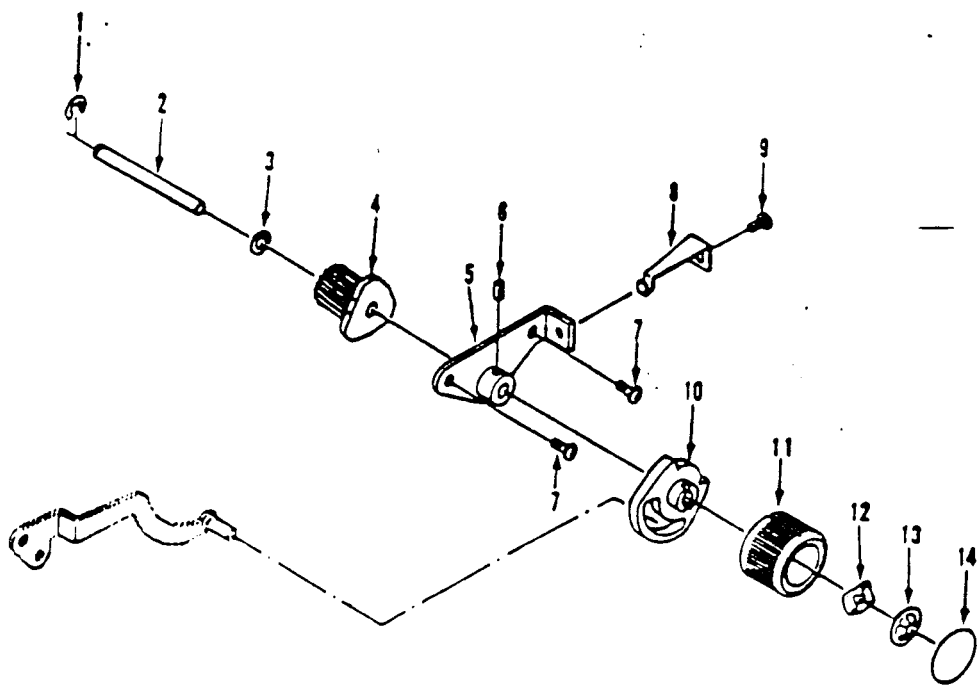
KEY NO.	FACTORY MODEL NO.	DESCRIPTION	PART NO.	KEY NO.	FACTORY MODEL NO.	DESCRIPTION	PART NO.
1	4836-6	MAIN SHAFT		13	4836-6	WASHER	
2		SPRING PIN		14		M3.5 SCREW	
3		PULLEY		15		BUSHING	
4		WASHER		16		SECURING PLATE	317712
5		CLIP ON WASHER		17		HOOK FOR SPRING	
6		HANDWHEEL COVER	317712	18		M4 PHILIPS SCREW	
7		CAM B		19		SPRING PIN	317717
8		M3.5 SCREW		20		BALANCE CAM	
9		CAM A		21		SET SCREW	
10		CAM BASE		22		THRUST WASHER	
11		M4 SCREW		23		SET SCREW	
12		FEEL CAM		24		COLLAR	
				25		SPRAL GEAR	

From the library of: Diamond Needle Corp



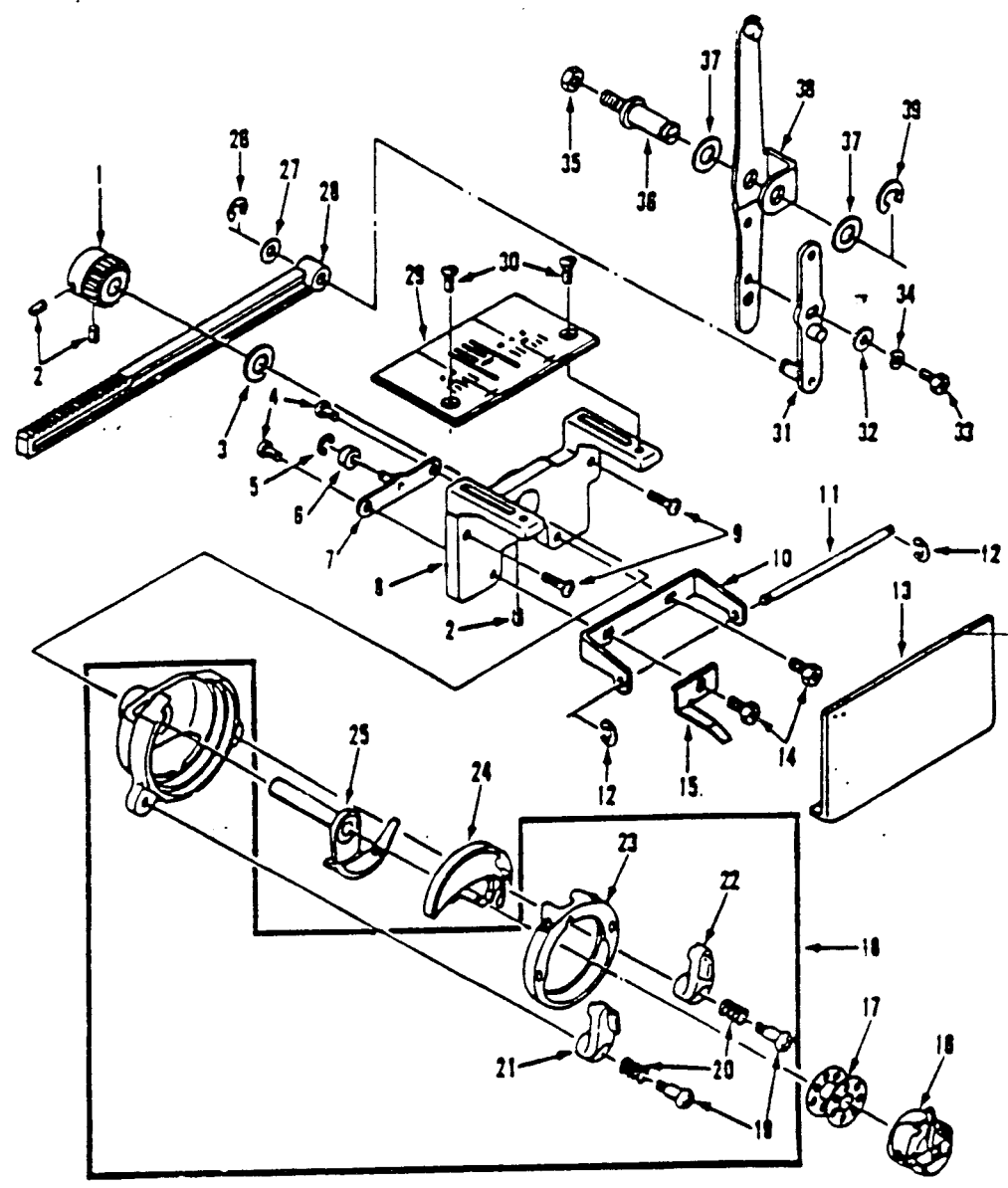
KEY NO.	FACTORY MODEL NO.	DESCRIPTION	PART NO.	KEY NO.	FACTORY MODEL NO.	DESCRIPTION	PART NO.
1	4836-6	M4 SCREW	317714	39	4836-6	SET SCREW	317563
2		PRESSER BAR	317715	40		SHAFT	317722
3		SUPPORT	317716	41		SPRING	317722
4		M4 SCREW				NEEDLE BAR SUPPORT	317726
5		M4 SCREW	317711			CLIP ON WASHER	317727
6		WASHER	317718			TAKE-UP LEVER	317728
7		SHAFT	317719			TAKE-UP SHAFT	317728
8		TENSION RELEASE LEVER	317763			SHAFT PLATE	317730
9		CLIP ON WASHER	317757			M4 PHILIPS SCREW	317730
10		SPRING	317735			NEEDLE BAR CRANK	317765
11		M4 SCREW	317720			CONNECTING ROD	
12		PRESSER FOOT				CLIP ON WASHER	317772
13		LIFTER				M4 SCREW	317731
14		PRESSER BAR				WASHER	317732
15		THUMB SCREW	317723			TIGHTENING GUIDE BAR	
16		M4 PHILIPS SCREW	317721			NEEDLE BAR HOLDER	317733
17		SPRING	317722			M4 SCREW	
18		PRESSER BAR GUIDE				NEEDLE BAR	
						THREAD GUIDE	
						NEEDLE CLAMP	
						M4 SCREW	317773
						NEEDLE	

From the library of: Diamond Needle Corp



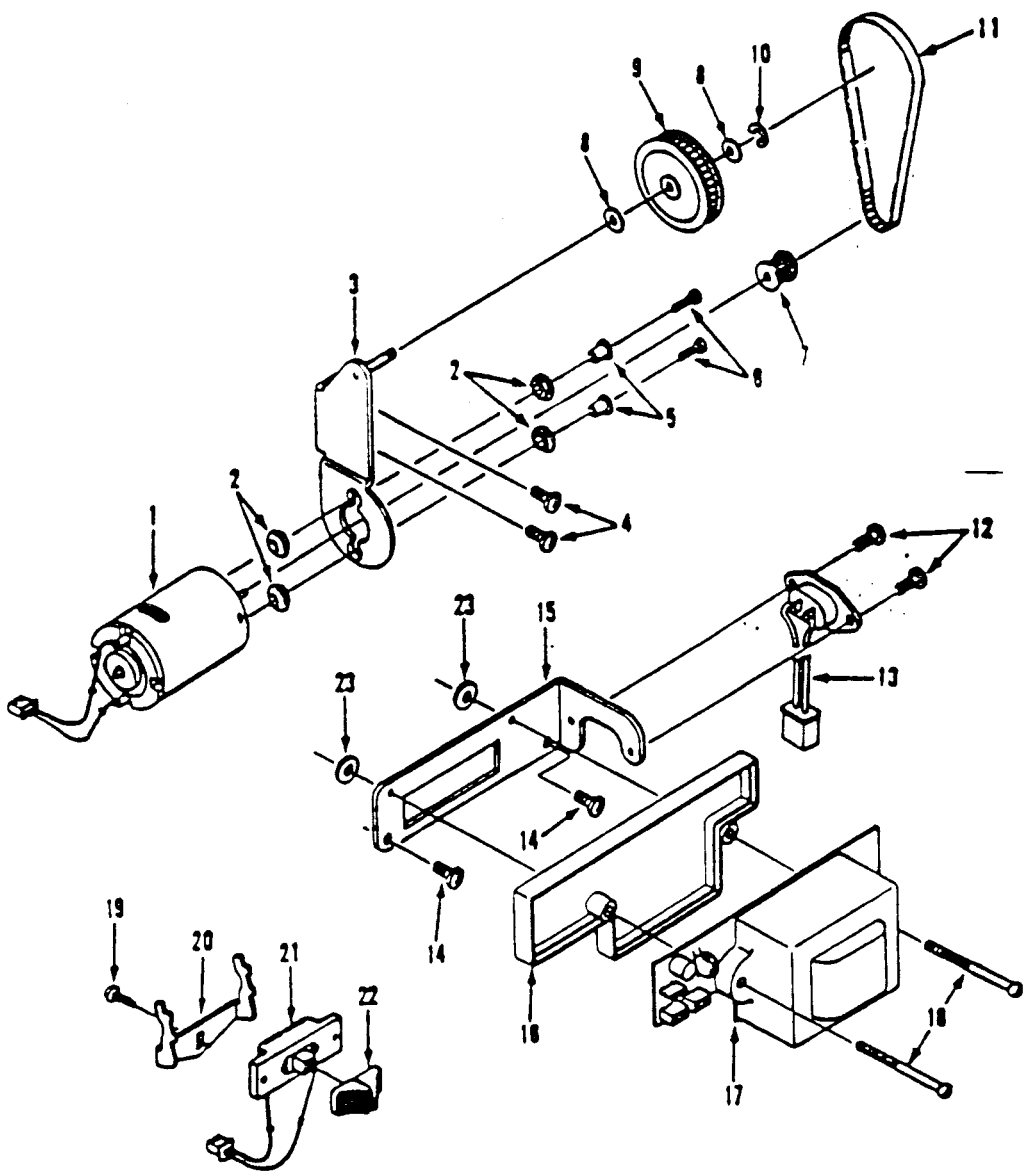
KEY NO.	FACTORY MODEL NO.	DESCRIPTION	PART NO.	KEY NO.	FACTORY MODEL NO.	DESCRIPTION	PART NO.
1	4836-6	CLIP ON WASHER		8	4836-6	NOTCH LEVER	317736
2		SHAFT		9		M4 PHILIPS SCREW	317723
3		WASHER		10		ZIGZAG CAM	317737
4		GEARED CAM		11		ZIGZAG DIAL	
5		DIAL PLATE	317734	12		WASHER	
6		M4 SCREW	317568	13		SPECIAL WASHER	
7		M4 PHILIPS SCREW	317791	14		DIAL PLATE	

FACILITY: 4836
 MODEL NO.: MAY HAVE SUFFIX - 0 TO 9
 4836-6
 4836-6
 4836-6



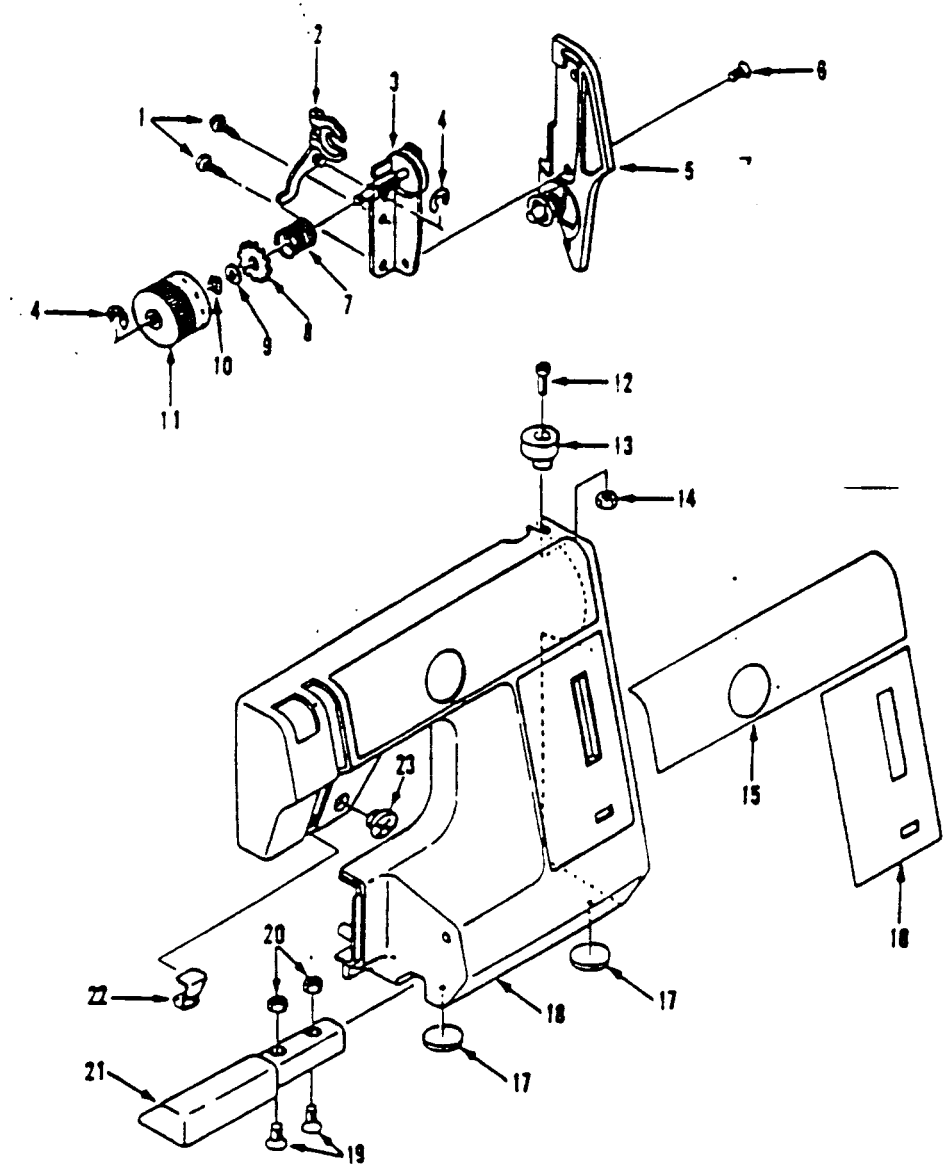
F.P.Y. NO.	FACTORY MODEL NO.	4836-6	PART NO.	DESCRIPTION	KEY NO.	FACTORY MODEL NO.	4836-6	PART NO.	DESCRIPTION
1				GEAR	21				SHUTTLE RACE
2				NO. SCREW	22				HINGED LATCH
3			317787	WASHER	23				SHUTTLE RACE
4				SET SCREW	24				HINGED LATCH
5				CLIP ON WASHER	25				SHUTTLE RACE COVER
6				ROLLER	26				SHUTTLE HOOK
7				ROLLER BASE	27				SHUTTLE DRIVER
8			317741	SHUTTLE RACE BASE	28				CLIP ON WASHER
9			317783	NO. PHILIPS SCREW	29				WASHER
10				COVER HINGE	30				RACE
11				SHAP	31				NEEDLE PLATE
12				CLIP ON WASHER	32				NO. SET SCREW
13				SHUTTLE COVER	33				SHUTTLE DRIVING ARM
14				NO. SCREW	34				WASHER
15				PLATE SPRING	35				NO. SCREW
16				BOBBIN CASE	36				NO. SPRING WASHER
17				BOBBIN SET	37				NO. SCREW
18			317784	SHUTTLE RACE	38				SHUTTLE DRIVING WASHER
19				COMPLETE	39				SHUTTLE DRIVING LEVER
20				SCREW STUD					CLIP ON WASHER
				SPRING					

From the library of: Diamond Needle Corp



KEY NO.	FACTORY MODEL NO.	PART NO.	KEY NO.	FACTORY MODEL NO.	PART NO.
NO.	DESCRIPTION		NO.	DESCRIPTION	
1	MOTOR	317749	13	TERMINAL BRACKET	
2	RUBBER BUSH	317750	14	M4 PHILIPS SCREW	317752
3	MOTOR BRACKET		15	BRACKET	
4	M4 PHILIPS SCREW		16	INSULATING BOX	
5	BUSH		17	RECTIFIER CIRCUIT	
6	M3 SCREW		18	M4 SCREW	
7	MOTOR RULLEY		19	M4 TAPPING SCREW	
8	THRUST WASHER		20	BRACKET	
9	DRIVER GEAR	317751	21	SWITCH	
10	CLIP ON WASHER		22	SWITCH KNOB	
11	TIMING BELT		23	(BROWN) WASHER	317753
12	M3 SET SCREW				

MODEL	MINI SINGER 322	REVISION	SECTION .
FACTORY MODEL NO.	4836 MAY HAVE SUFFIX - 0 TO 9		
ORIGINAL ISSUE	SEPTEMBER, 1988		PAGE : 7



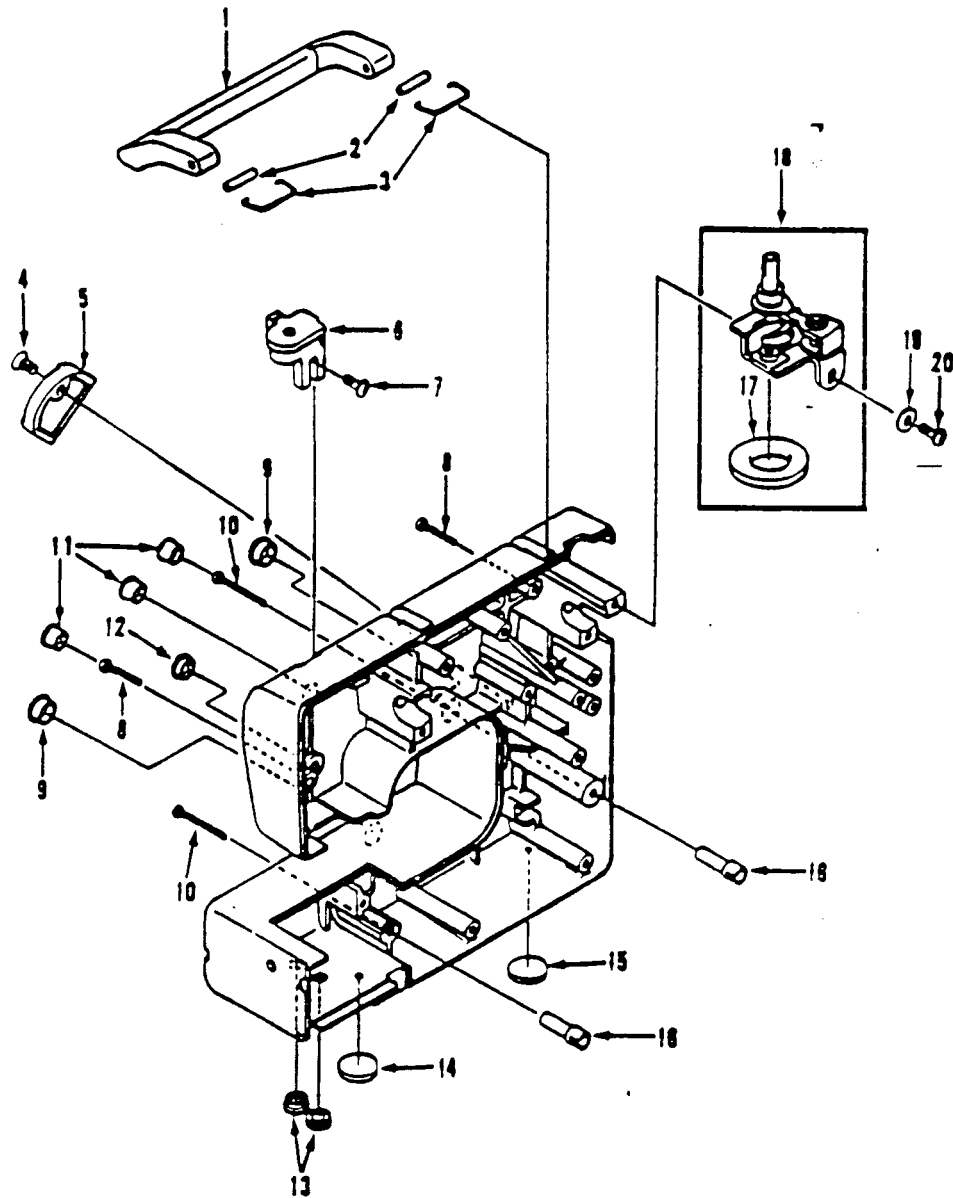
KEY NO.	FACTORY MODEL NO.	4836-6	DESCRIPTION	PART NO.	KEY NO.	FACTORY MODEL NO.	4836-6	DESCRIPTION	PART NO.
1			MA TAPPING SCREW		11			THREAD TENSION	
2			TENSION RELEASE		12			DIAL	
3			LEVER		13			SET SCREW	
4			THREAD TENSION		14			PLASTIC BOBBIN CAM	
5			CLIP UNIT		15			SEAL	
6			TENSION WASHER		16			SEAL	
7			TENSION SPRING		17			RUBBER CUSHION	317790
8			UNIT SCREW		18			FRONT COVER	
9			SPRING		19			MA SET SCREW	
10			TORNISHED WASHER		20			NUT	
			WASHER		21			FRONT SUPPORT	
			CRINKLE WASHER		22			THREAD GUIDE	
					23			CAP	

From the library of: Diamond Needle Corp

MODEL
 FACTORY MODEL NO.
 ORIGINAL ISSUE

4836
 MAY HAVE SUFFIX - 0 TO 9
 SEPTEMBER, 1968

PAGE 1 8



KEY NO.	FACTORY MODEL NO.	DESCRIPTION	PART NO.	KEY NO.	FACTORY MODEL NO.	DESCRIPTION	PART NO.
1	4836-6	HANDLE	317754	11	4836-6	CAP	317764
2		SPRING PIN	317755	12		CAP	317686
3		CLIP	317756	13		ARM CAP	317766
4		M4 SET SCREW	317560	14		RUBBER CUSHION	
5		SPOOL STAND BASE	317758	15		RUBBER CUSHION	
6		THREAD GUIDE	317759	16		SPACER	317786
7		M4 PHILIPS SCREW	317760	17		ROBBIN WINDER	
8		TAPPING SCREW	317761	18		RUBBER WINDER	317767
9		CAP	317762	19		WASHER	
10		M4 TAPPING SCREW	317614	20		M4 PHILIPS SCREW	

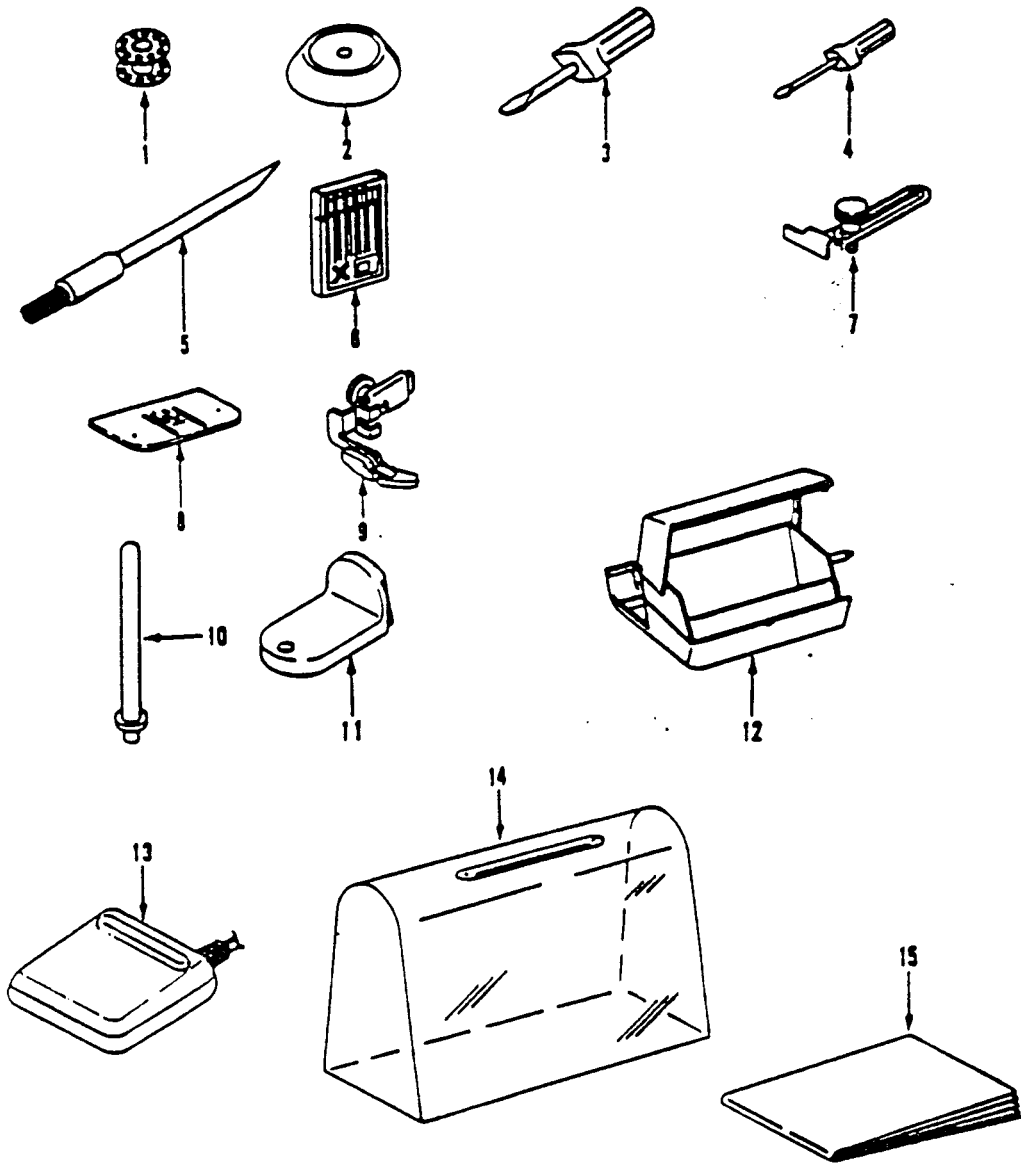
FACTORY MODEL NO.

4836
MAY HAVE SUFFIX - 0 TO 9

ORIGINAL ISSUE

SEPTEMBER, 1988

PAGE 1 9



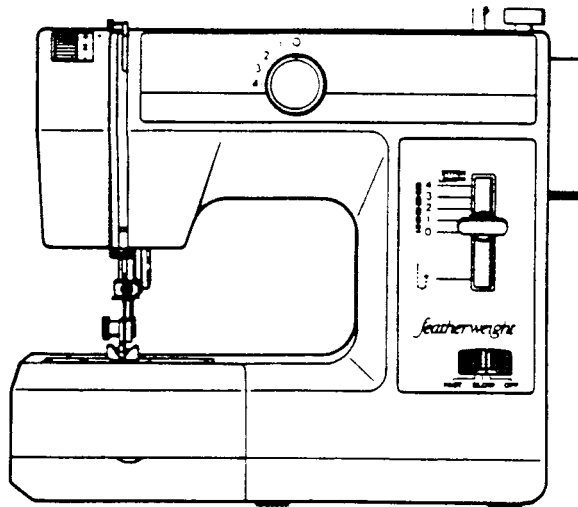
KEY NO.	FACTORY MODEL NO.	4836-6	DESCRIPTION	PART NO.	KEY NO.	FACTORY MODEL NO.	4836-6	DESCRIPTION	PART NO.
1			BOBBIN SET	317789	8			DARNING PLATE	
2			SPOOL PIN CAP	317768	9			HINGED ZIPPER FOOT	
3			LARGE SCREW DRIVER		10			SPOOL PIN	317769
4			SMALL SCREW DRIVER		11			SPOOL STAND	317770
5			CLEANING BRUSH		12			ACC. BOX	317771
6			NEEDLE SET	317788	13			FOOT SWITCH	
7			CLOTH GUIDE		14			DUST COVER	
					15			INSTRUCTION BOOK	** 505257

From the library of: Diamond Needle Corp

ORIGINAL ISSUE	NOVEMBER 1987	REVISED	SEC.	2
			ORIGINAL	
			PAGE	

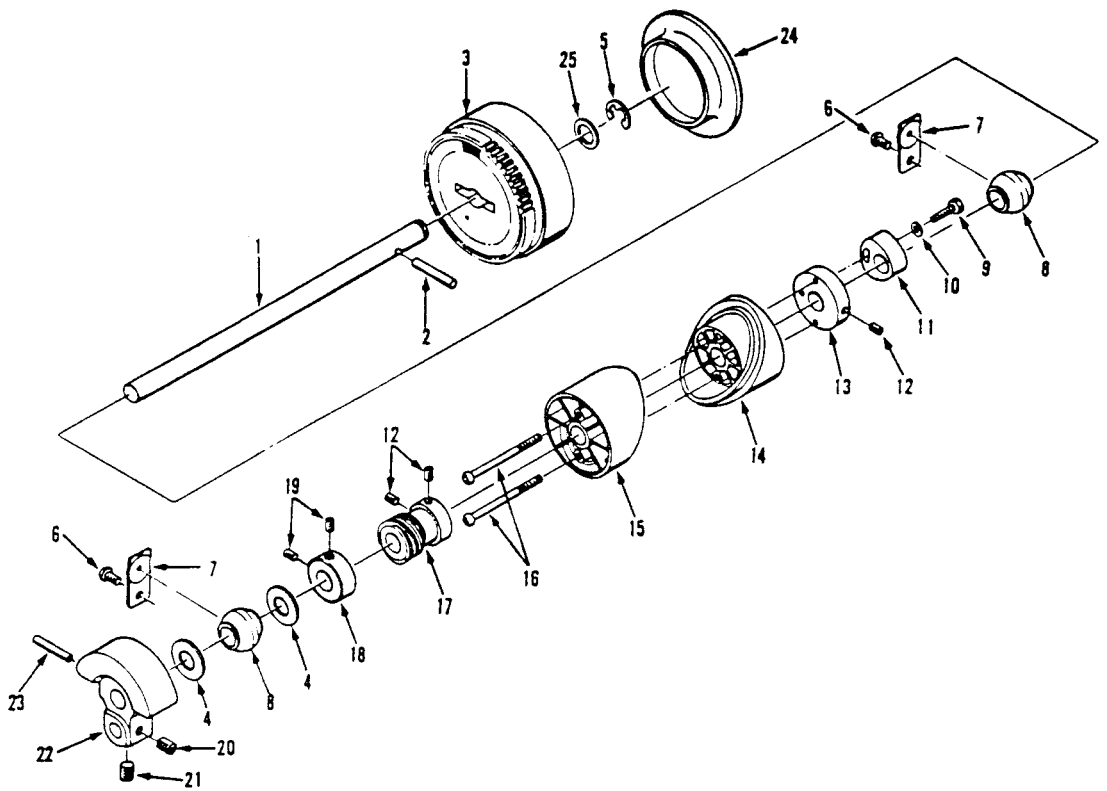
PARTS LIST
FOR

MINI SINGER
MODEL **322**



ORIGINAL ISSUE NOVEMBER 1987
MUST BE USED WITH REVISION SEPT 1988

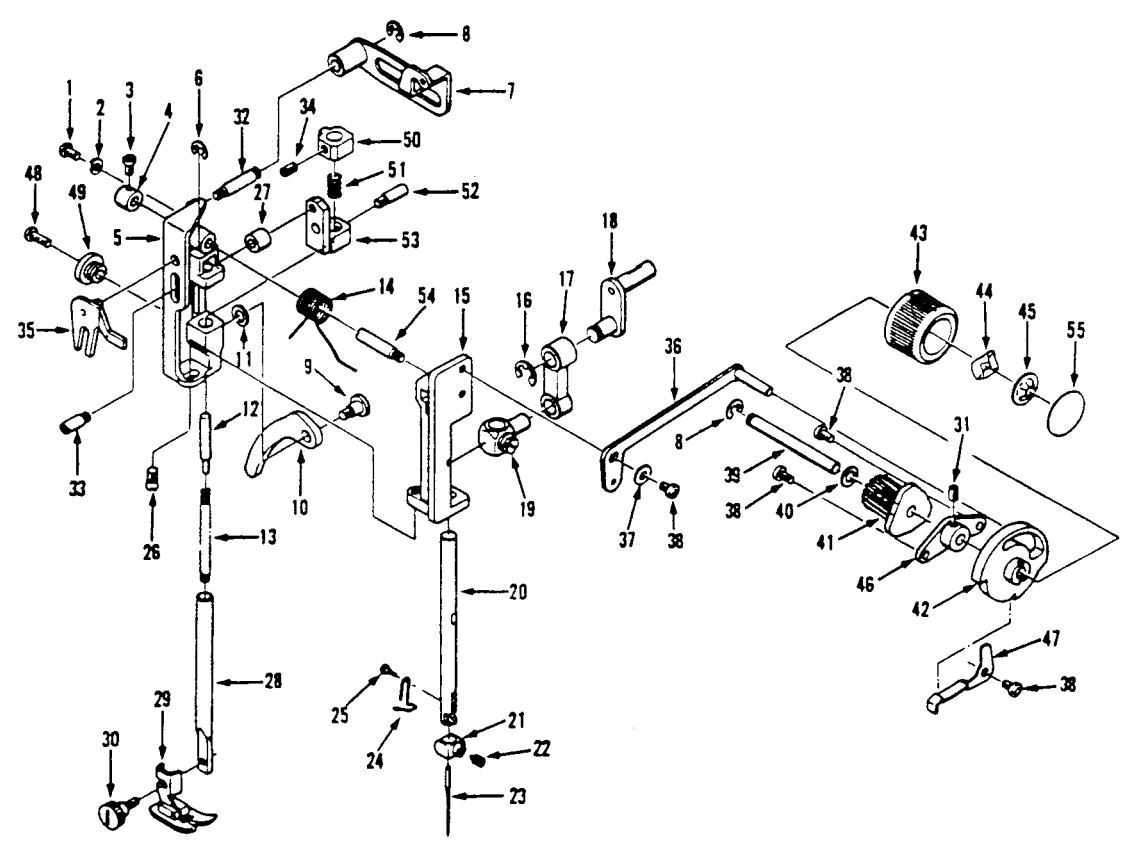
MODEL	MINI SINGER 322	REVISION	SECTION :	2
FACTORY MODEL NO.	4836 MAY HAVE SUFFIX - 0 TO 9			
ORIGINAL ISSUE	NOVEMBER 1987		PAGE :	1



KEY NO.	FACTORY MODEL NO.	4836-5	DESCRIPTION	PART NO.	KEY NO.	FACTORY MODEL NO.	4836-5	DESCRIPTION	PART NO.
1			MAIN SHAFT	317599	13			CAM BASE	317581
2			SPRING PIN	317610	14			CAM A	317570
3			BULLEY	317680	15			CAM B	317571
4			THRUST WASHER	317530	16			M3.5 SCREW	317511
5			CLIP ON WASHER	317543	17			SPIRAL GEAR	317583
6			SET SCREW	317532	18			COLLAR	317556
7			SECURING PLATE	317632	19			SET SCREW	317502
8			BUSHING	317589	20			SET SCREW	317527
9			M3.5 SCREW	317642	21			SET SCREW	317527
10			WASHER	317642	22			SET SCREW	317527
11			FOOT CAM	317577	23			SPRING PIN	317536
12			M4 SCREW	317566	24			WASHER	317533
					25			WASHER	317509

From the library of: Diamond Needle Corp

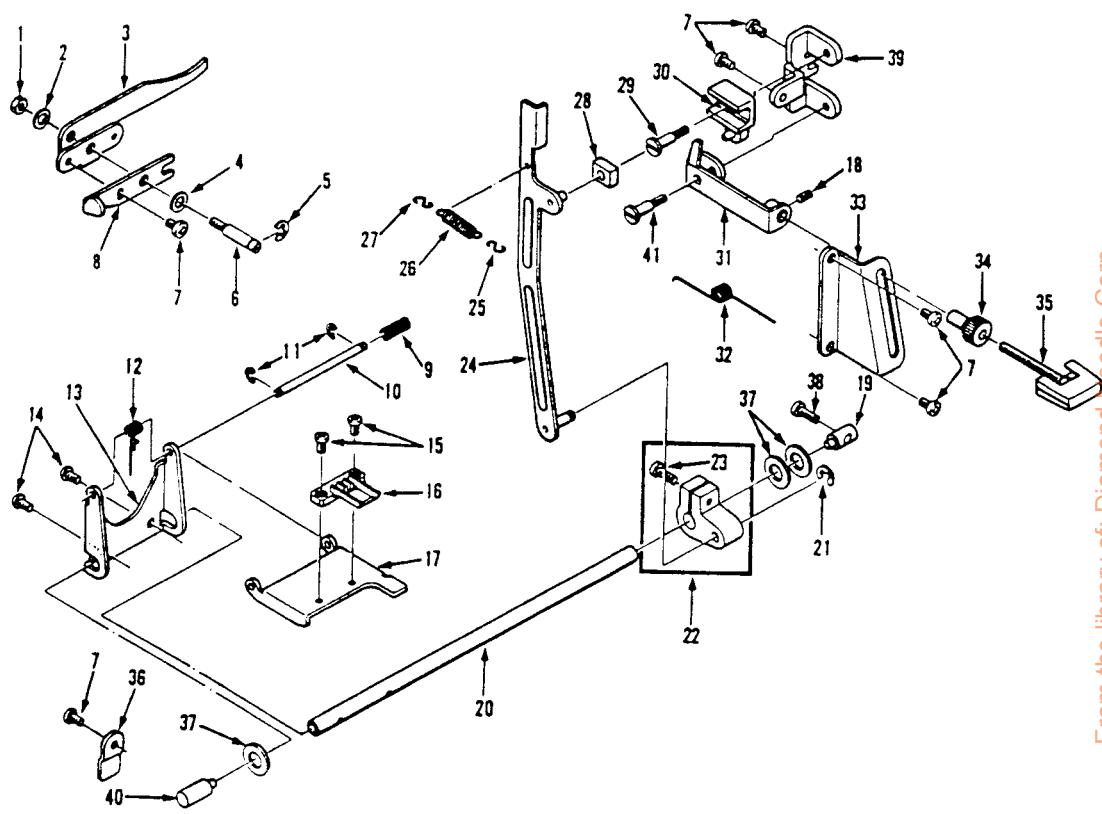
MODEL	MINI SINGER 322	REVISION	SECTION :	2
FACTORY MODEL NO.	4836 MAY HAVE SUFFIX - 0 TO 9			
ORIGINAL ISSUE	NOVEMBER 1987		PAGE :	2



KEY NO.	FACTORY MODEL NO.	4836-5	DESCRIPTION	PART NO.	KEY NO.	FACTORY MODEL NO.	4836-5	DESCRIPTION	PART NO.
1	M4		SET SCREW	317544	29		ZIGZAG PRESSER	317650	
2	#6		SPRING WASHER	317511			FOOT		
3			SET SCREW	317504	30		PRESSER FOOT THUMB	317503	
4			COLLAR	317518			SCREW		
5			PRESSER BAR	317661	31	M4	SCREW	317568	
6			SUPPORT		32	M4	SCREW	317673	
7			CLIP ON WASHER	317507	33	M4	SCREW	317671	
8			TAKE-UP LEVER	317573	34	M4	SET SCREW	317676	
9			CLIP ON WASHER	317515	35		TENSION RELEASE	317674	
10	M4		STUD SCREW	317669			LEVER		
			PRESSER FOOT	317693	36		ZIGZAG GUIDE BAR	317580	
11			LIFTER		37	#6	WASHER	317534	
			WASHER	317524	38		SET SCREW	317532	
12			SHAFT	317670	39		SHAFT	317630	
13			SPRING	317666	40		WASHER	317523	
14			SPRING	317665	41		GEARED CAM	317582	
15			NEEDLE BAR SUPPORT	317653	42		ZIGZAG CAM	317585	
16			CLIP ON WASHER	317503	43		ZIGZAG DIAL	317657	
17			CONNECTING HOOD	317576	44		WASHER	317553	
18			NEEDLE BAR CRANK	317577	45		SPECIAL WASHER	317567	
19			NEEDLE BAR HOLDER	317700	46		DIAL PLATE	317634	
20			NEEDLE BAR	317587	47		NOTCH LEVER	317653	
21			NEEDLE CLAMP	317538	48	M4	SET SCREW	317544	
22	#6		SCREW	317655	49	M8	SCREW	317677	
23			THREAD GUIDE	317699	50		PRESSER BAR HOLDER	317662	
24			SET SCREW	317519			A		
25			SET SCREW	317668	51		SPRING	317678	
26	M4		SCREW	317668	52	M4	SCREW	317673	
27			ROLLER	317679	53		PRESSER BAR HOLDER	317663	
28			PRESSER BAR	317667			B		
					54	M4	SCREW	317604	
					55		DIAL PLATE	317656	

From the library of: Diamond Needle Corp

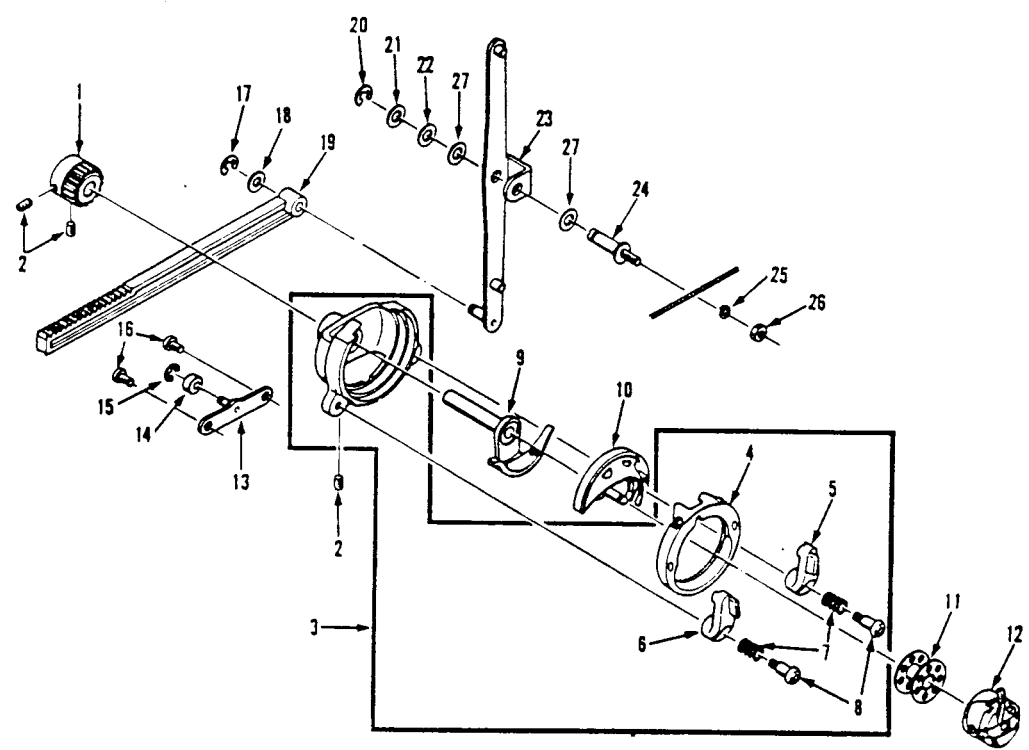
MODEL	MINI SINGER 322	REVISION	SECTION :	2
FACTORY MODEL NO.	4836 MAY HAVE SUFFIX - 0 TO 9			
ORIGINAL ISSUE	NOVEMBER 1987		PAGE :	3



From the library of: Diamond Needle Corp

KEY NO.	FACTORY MODEL NO.	4836-5	DESCRIPTION	PART NO.	KEY NO.	FACTORY MODEL NO.	4836-5	DESCRIPTION	PART NO.
1			NUT	317569	22			FEED ARM B	317617
2			WASHER	317534	23			SET SCREW	317502
3			FEED LIFTING LEVER	317592	24			FEED OPERATING LEVER	317588
4			WASHER	317523	25			HOOK FOR SPRING	317521
5			CLIP ON WASHER	317515	26			SPRING	317621
6			M4 SCREW	317607	27			HOOK FOR SPRING	317514
7			SET SCREW	317532	28			SLIDE BLOCK	317522
8			FEED LIFTING ARM	317593	29			M4 STUD SCREW	317637
9			SPRING	317640	30			FEED REGULATOR LEVER	317646
10			SHAFT	317645	31			SPRING	317644
11			CLIP ON WASHER	317508	32			FEED LEVER GUIDE	317659
12			SPRING	317608	33			FEED LEVER	317598
13			FEED ARM A	317594	34			FEED LEVER GUIDE	317598
14			M4 PHILIPS SCREW	317531	35			STITCH LENGTH LEVER (BROWN)	317618
15			SET SCREW	317537	36			SECURING PLATE	317635
16			FEED DOG	317547	37			THRUST WASHER	317525
17			FEED BASE	317575	38			SET SCREW	317535
18			SET SCREW	317563	39			PLATE	317639
19			CENTER PIN	317683	40			CENTER PIN A	317682
20			FEED REGULATING SHAFT	317681	41			M4 STUD SCREW	317638
21			CLIP ON WASHER	317507					

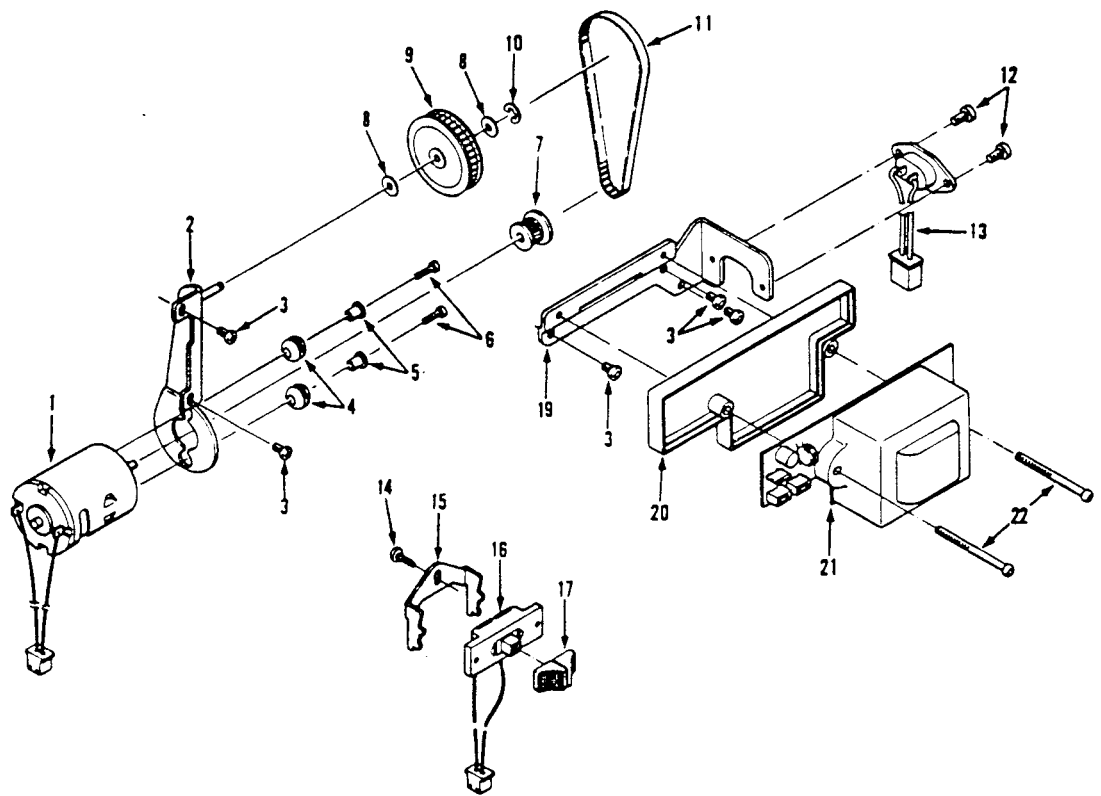
MODEL	MINI SINGER 322	REVISION	SECTION :	2
FACTORY MODEL NO.	4836 MAY HAVE SUFFIX - 0 TO 9			
ORIGINAL ISSUE	NOVEMBER 1987		PAGE :	4



KEY NO.	FACTORY MODEL NO.	4836-5	DESCRIPTION	PART NO.	KEY NO.	FACTORY MODEL NO.	4836-5	DESCRIPTION	PART NO.
1			GEAR	317651	13			ROLLER BASE	317594
2			M4 SCREW	317588	14			ROLLER	317601
3			SHUTTLE RACE COMPLETE	317590	15			CLIP ON WASHER	317508
4			SHUTTLE COVER	317550	16			SET SCREW	317532
5			SHUTTLE RACE	317545	17			CLIP ON WASHER	317507
6			HINGED LATCH	317546	18			WASHER	317549
7			SPRING	317516	19			RACK	317515
8			SCREW STUD DRIVER	317529	20			CLIP ON WASHER	317513
9			SHUTTLE HOOK	317501	21			WASHER	317523
10			BOBBIN	317710	22			SHUTTLE DRIVING LEVER	317557
11			BOBBIN CASE	317549	23			WASHER	317591
12					24			M4 SCREW	317672
					25			#6 SPRING WASHER	317511
					26			NUT	317569
					27			WASHER	317540

From the library of: Diamond Needle Corp

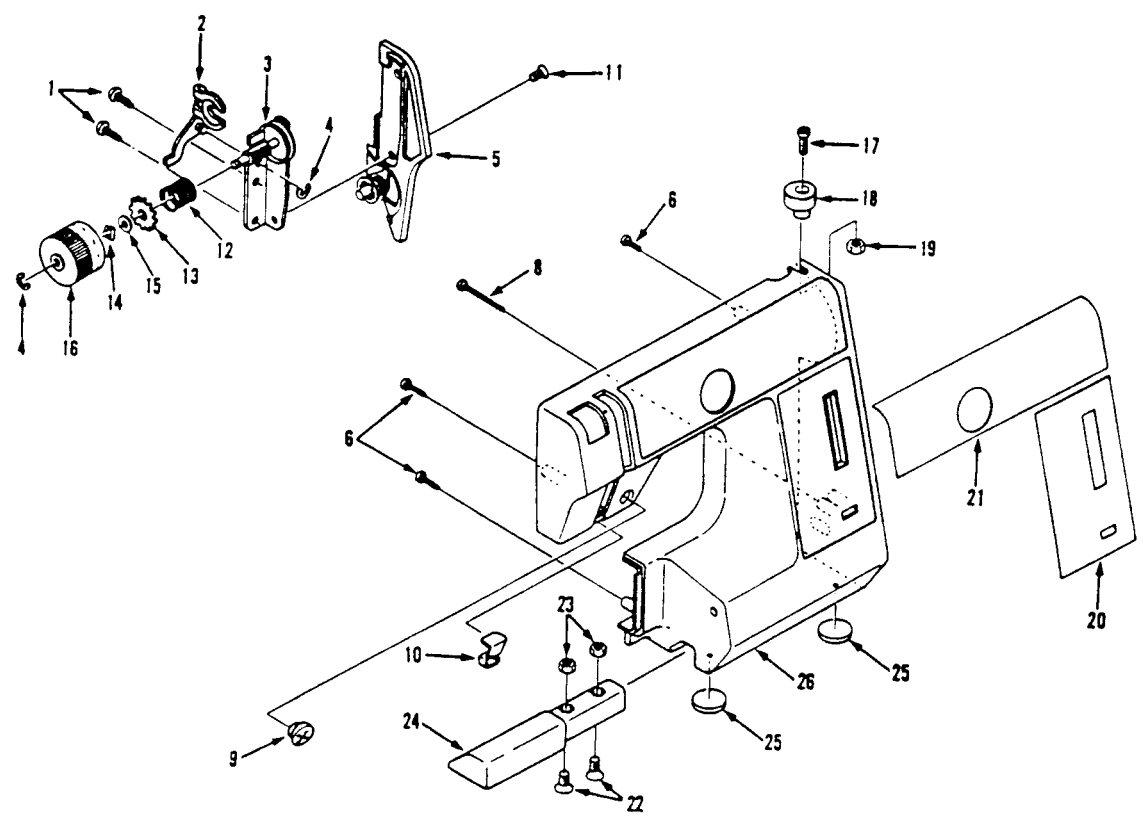
MODEL	MINI SINGER 322	REVISION	SECTION :	2
FACTORY MODEL NO.	4836 MAY HAVE SUFFIX - 0 TO 9			
ORIGINAL ISSUE	NOVEMBER 1987		PAGE :	5



KEY NO.	FACTORY MODEL NO.	4836-5	DESCRIPTION	PART NO.	KEY NO.	FACTORY MODEL NO.	4836-5	DESCRIPTION	PART NO.
1			MOTOR	317647	12			M3 SET SCREW	317541
2			MOTOR BRACKET	317625	13			TERMINAL BRACKET	317626
3			SET SCREW	317532	14			M4 TAPPING SCREW	317619
4			RUBBER BUSH	317623	15			BRACKET	317603
5			BUSH	317624	16			SWITCH	317899
6			M3 SCREW	317627	17			SWITCH KNOB (BROWN)	317619
7			MOTOR RULLEY	317684	19			BRACKET	317640
8			THRUST WASHER	317525	20			INSULATING BOX	317632
9			IDLER GEAR	317595	21			RECTIFIER CIRCUIT	317648
10			CLIP ON WASHER	317508	22			M5 SCREW	317642
11			TIMING BELT	317685					

From the library of: Diamond Needle Corp

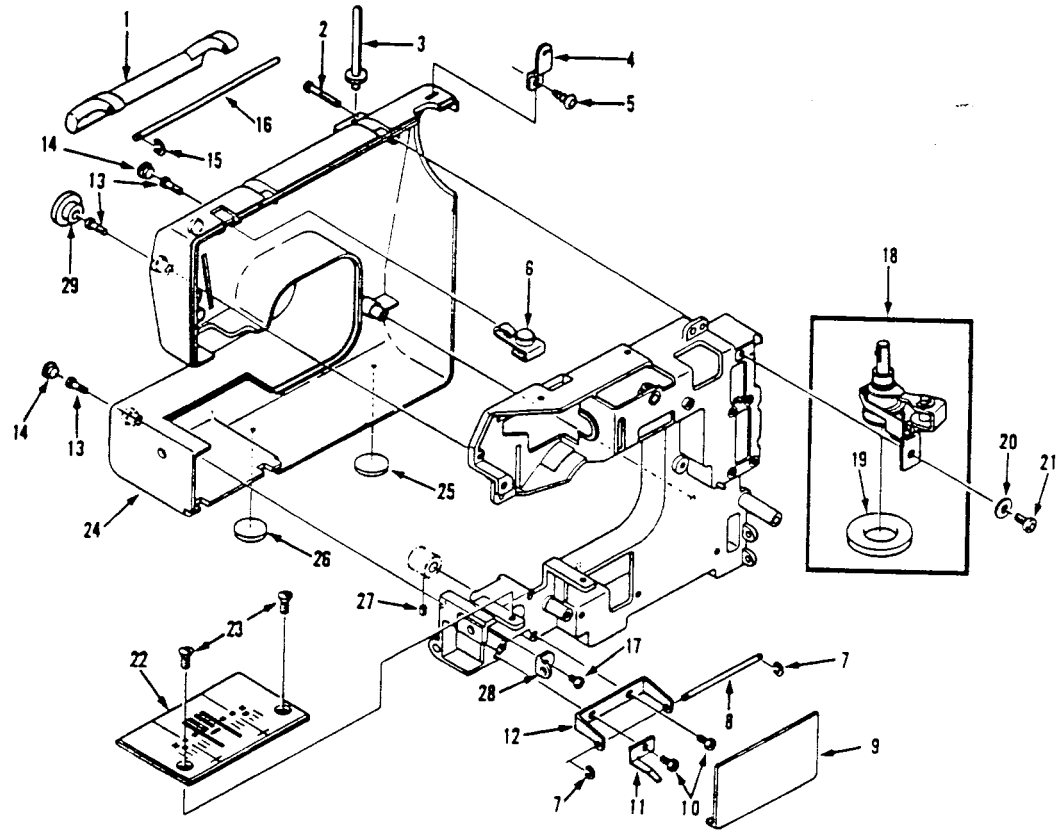
MODEL	MINI SINGER 322	REVISION	SECTION :	2
FACTORY MODEL NO.	4836 MAY HAVE SUFFIX - 0 TO 9			
ORIGINAL ISSUE	NOVEMBER 1987		PAGE :	6



KEY NO.	DESCRIPTION	PART NO.
1	M4 TAPPING SCREW	317616
2	TENSION RELEASE LEVER	317597
3	THREAD TENSION DISC UNIT	317609
4	CLIP ON WASHER	317508
5	TENSION SPRING UNIT	317689
6	M4 TAPPING SCREW	317613
8	M4 TAPPING SCREW	317614
9	CAP	317596
10	THREAD GUIDE	317596
11	M4 SCREW	317622
12	SPRING	317602

KEY NO.	DESCRIPTION	PART NO.
13	TOOTHED WASHER	317521
14	CRINKLE WASHER	317520
15	WASHER	317554
16	THREAD TENSION DIAL	317658
17	SET SCREW	317558
18	PLASTIC BOBBIN CAM	317566
19	#6 NUT	317513
20	SEAL	317706
21	SEAL	317705
22	M4 SCREW	317564
23	NUT	317569
24	FRONT SUPPORT	317688
25	RUBBER CUSHION	317537
26	FRONT COVER	317697

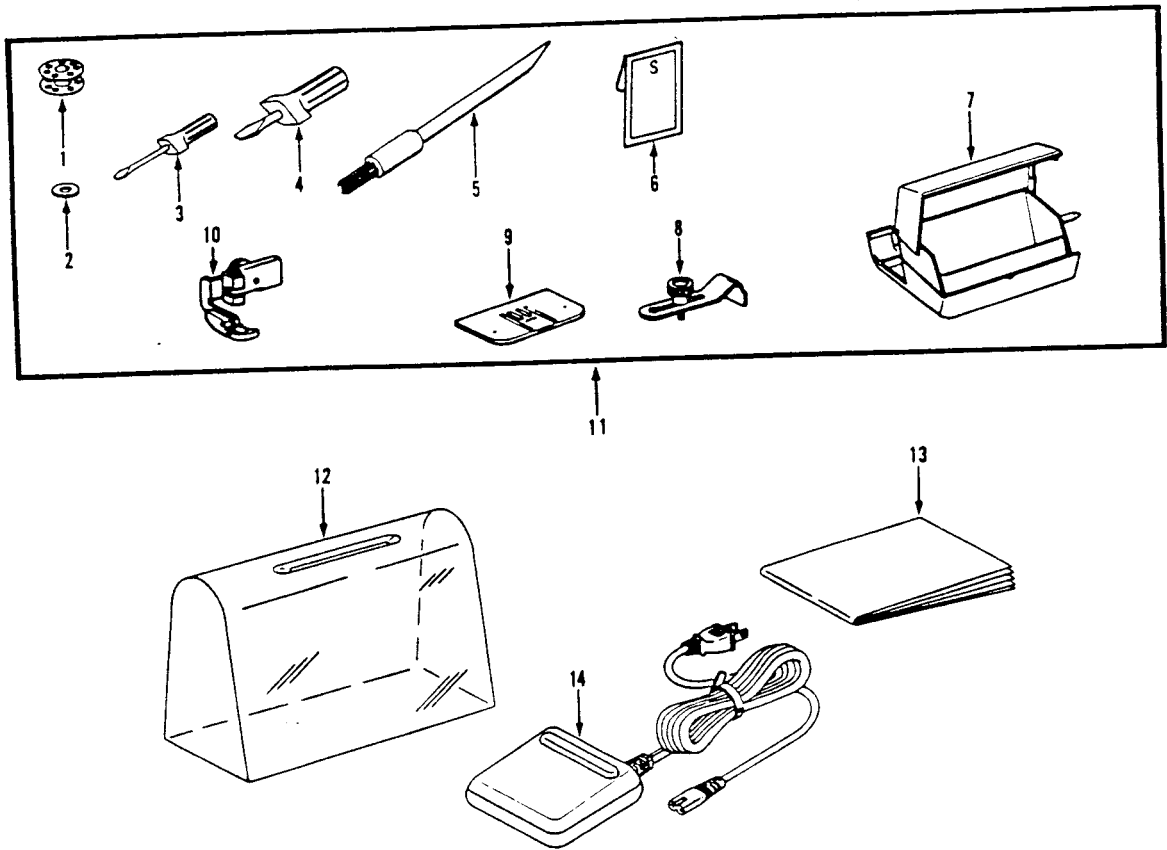
MODEL	MINI SINGER 322	REVISION	SECTION :	2
FACTORY MODEL NO.	4836 MAY HAVE SUFFIX - 0 TO 9			
ORIGINAL ISSUE	NOVEMBER, 1987		PAGE :	7



KEY NO.	FACTORY MODEL NO.	4836-5	DESCRIPTION	PART NO.	KEY NO.	FACTORY MODEL NO.	4836-5	DESCRIPTION	PART NO.
1			CARRYING HANDLE	317691	16			SHAFT	317605
2			M4 SCREW	317634	17			M4 PHILIPS SCREW	317562
3			SPOOL PIN	317692	18			BOBBIN WINDER	317694
4			THREAD GUIDE	317699	19			BOBBIN WINDER	317510
5			SET SCREW	317637	20			WASHER	317506
6			THREAD GUIDE	317640	21			M4 SCREW	317555
7			CLIP ON WASHER	317517	22			NEEDLE PLATE	317620
8			SHAFT	317606	23			M4 SET SCREW	317560
9			SHUTTLE COVER	317572	24			REAR COVER	317690
10			M4 SCREW	317654	25			RUBBER CUSHION	317559
11			PLATE SPRING	317600	26			RUBBER CUSHION	317643
12			COVER HINGE	317586	27			M4 SCREW	317568
13			M4 PHILIPS SCREW	317641	28			PLATE	317636
14			ARM CAP	317655	29			CAP	317686
15			WASHER	317628					

From the library of: Diamond Needle Corp

MODEL	MINI SINGER 322	REVISION	SECTION : 2
FACTORY MODEL NO.	4836 MAY HAVE SUFFIX - 0 TO 9		
ORIGINAL ISSUE	NOVEMBER, 1987		PAGE : 8



KEY NO.	FACTORY MODEL NO.	4836-5	PART NO.	KEY NO.	FACTORY MODEL NO.	4836-5	PART NO.
	DESCRIPTION				DESCRIPTION		
1	BOBBIN		317710	8	CLOTH GUIDE		317633
2	SPOOL PIN DISC		317530	9	DARNING PLATE		317548
3	SMALL SCREW DRIVER		317703	10	HINGED ZIPPER FOOT		317529
4	LARGE SCREW DRIVER		317702	11	ACCESSORY SET		317551
5	CLEANING BRUSH		317701	12	DUST COVER		317631
7	ACCESSORY BOX		317698	13	INSTRUCTION BOOK		505257-322
				14	FOOT SWITCH		317704